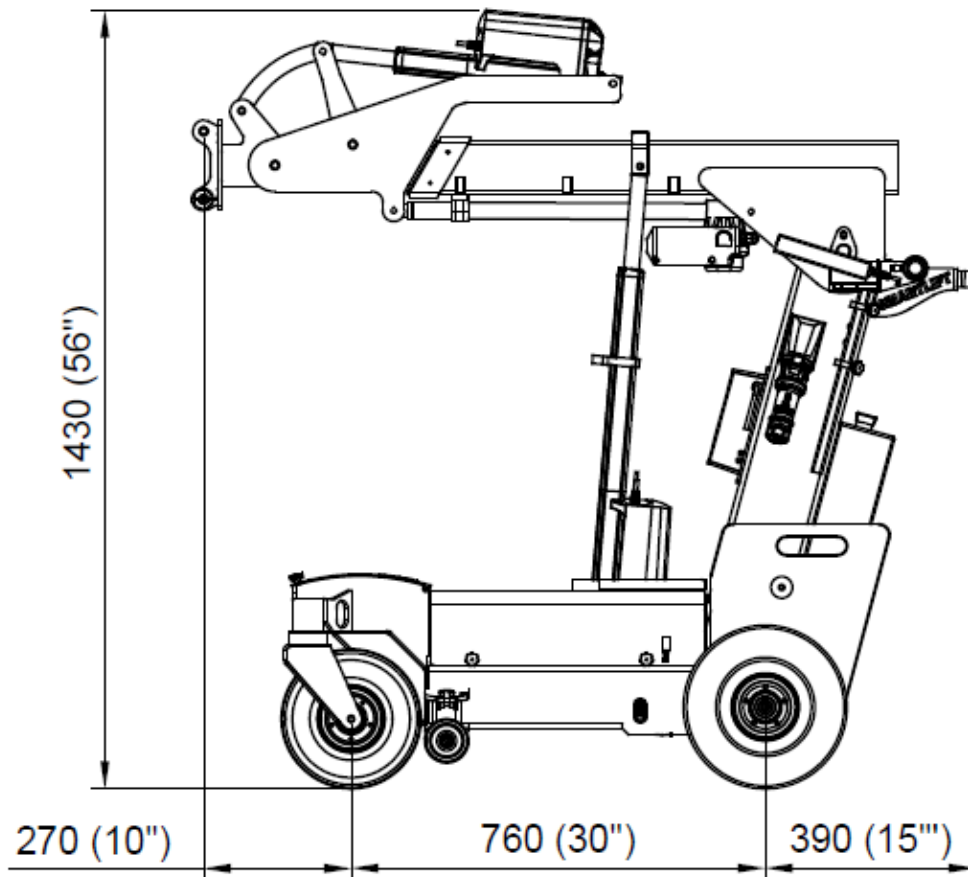
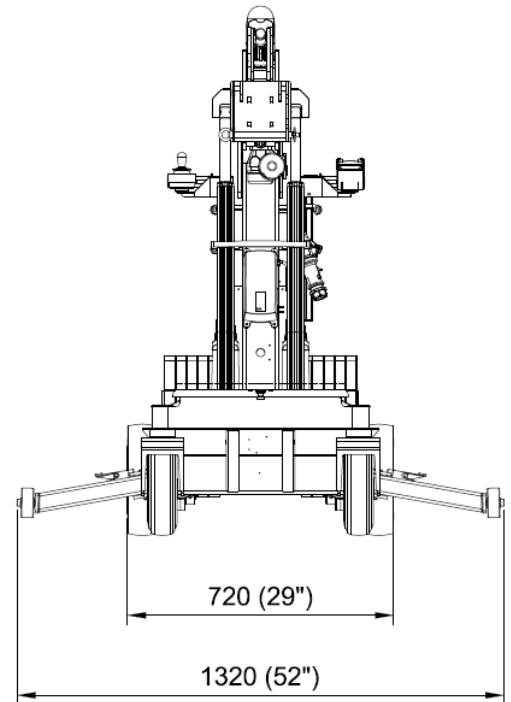


## SLI208 INDUSTRY

### Technical specifications

Lifting cap. arm in/out	200/185kg - 440/410lb
Lifting height	2300mm / 91in
Extension of arm	500mm / 20in
Tilt	54° back / 100° fwd
Side shift	-
Charging voltage	230 V / 110V
Charging time	Approx. 8 hrs
Running period	Up to 10 hrs
Rear-wheel drive	2 x 1200W
Width	720mm / 28in
Curb weight	460kg / 1010lb



# Load chart

